



Part Number: 8E0 057 593/8E0 057 593 A
Description: Sirius or XM
Satellite receiver

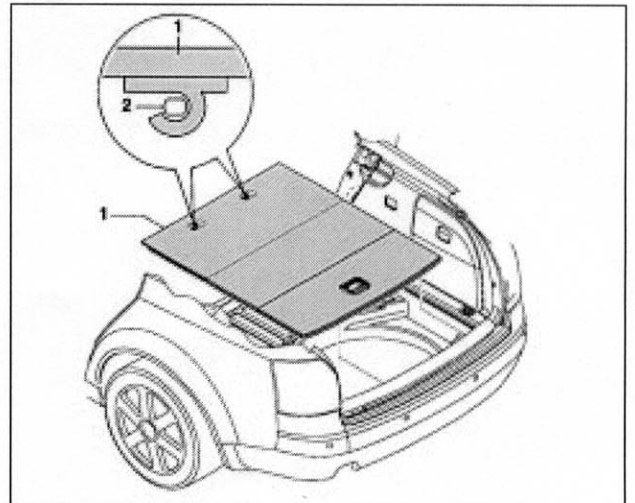
Supplier: Delphi Automotive / Votex GmbH
Fitments: A4 Avant 2004>
S4 Avant 2004>

XM or Sirius Audi Satellite receiver installation



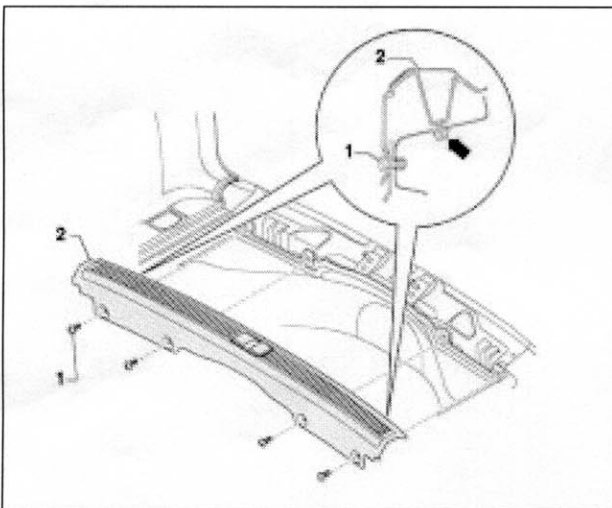
Step#01

Remove contents from trunk area. Fold the rear seats forward. Open left rear luggage compartment storage box. Remove left luggage compartment door. Remove tool kit.



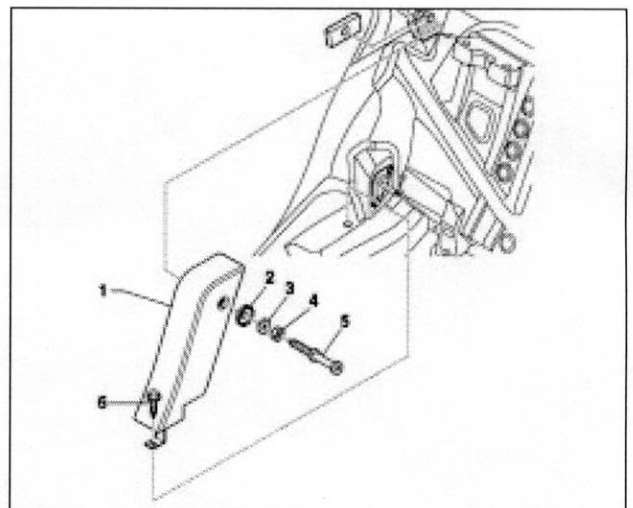
Step#02

Remove trunk area trunk mat from dirt tray (2x clips).



Step#03

Remove rear cross panel trim. Loosen T20 torx screws (4x) 5 Nm. Carefully remove the rear cross panel trim by pulling up. Attached with (2x) locking pins (see arrows). When reattaching, ensure that the rear cross trim is firmly in place, and the rubber trunk weather seal is sitting over the rear cross trim panel.



Step#04

Remove rear seat side bolster. Unbolt #5 with a 17mm angled wrench. Loosening this trim piece will allow you to more easily re-attach luggage compartment trim without damaging the c pillar trim. Break loose the 17mm nut and twist the shaft at the same time. No need to remove the nut. Shaft will loosen easily.