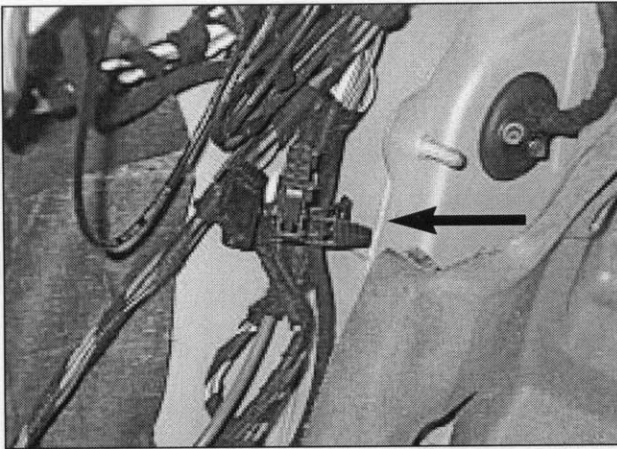




Part Number: 8E0 057 593/8E0 057 593 A
Description: Sirius or XM
Satellite receiver

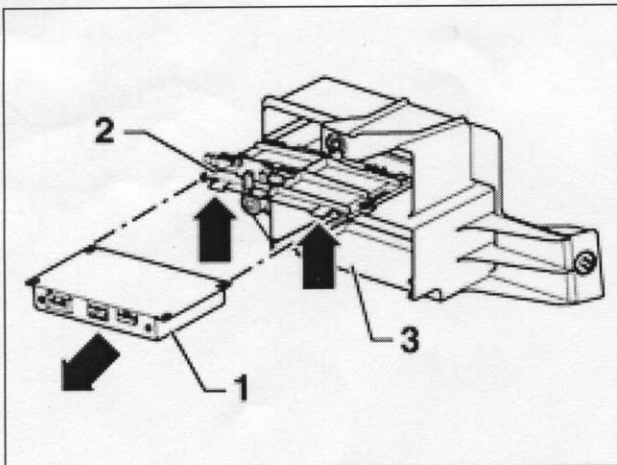
Supplier: Delphi Automotive / Votex GmbH
Fitments: A4 Avant 2004>
S4 Avant 2004>

XM or Sirius Audi Satellite receiver installation



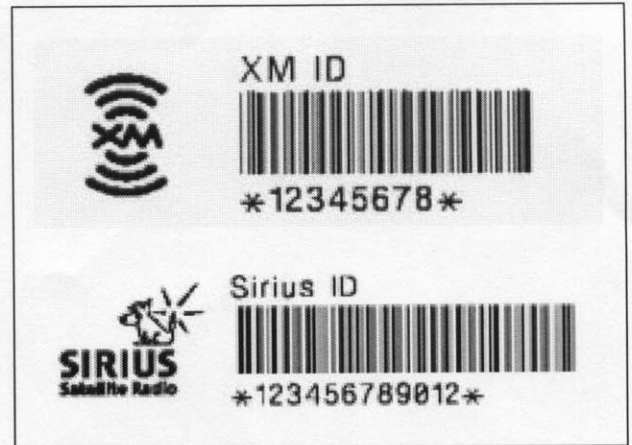
Step#07

Locate satellite radio connectors. The connectors are typically covered with gray foam. It consists of a green, brown, and 2 black connectors. Remove and dispose of foam covering. Put connectors aside. A third blue connector may already be connected on your model. This does not need to be disconnected unless you need extra working area. If it is loose and not connected, it will not be needed for this installation.



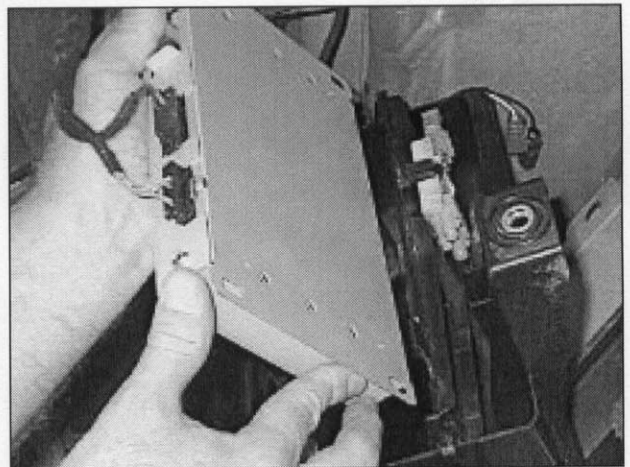
Step#09 Installing satellite receiver.

Slide satellite radio receiver in, upside down, connectors facing towards you. They will lock into place with tabs. (See arrows). It will take some effort to slide the receiver in as it is a tight fit.



Step#08

Locate XM/Sirius ESN/ID sticker. Remove 1 label and place it on the inside of the left rear storage compartment door. If an ESN/ID sticker is not available, record the ESN/ID number on a soft pressure label and stick it on the inside of the rear left storage compartment door.



Step#09a

Inserting satellite receiver into bracket upside down (shown with black connectors installed).