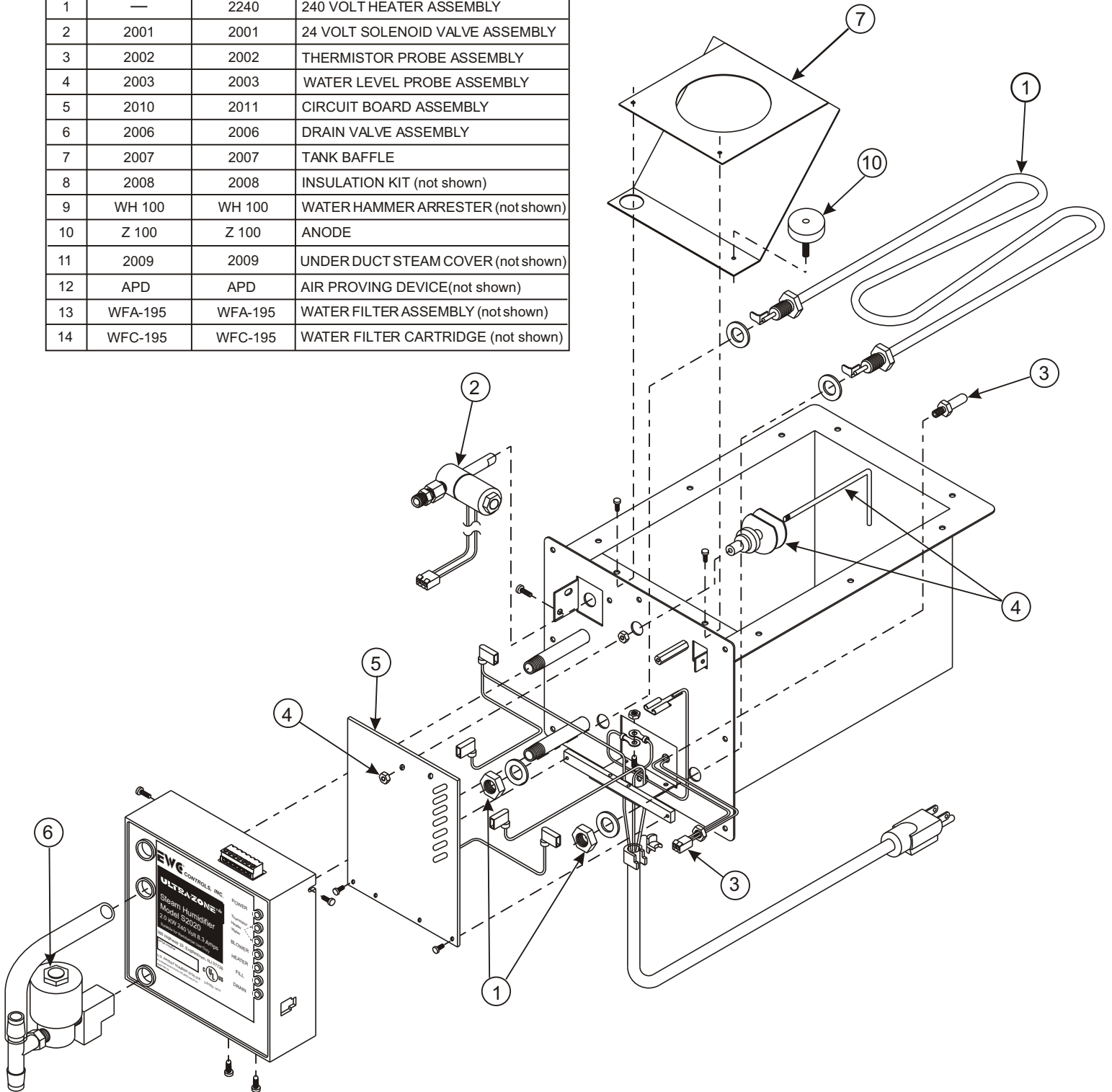


ULTRA-ZONE™

DATA SHEET Model S2000/S2020 Service & Replacement Parts List

ITEM	S2000 PART NO.	S2020 PART NO.	DESCRIPTION OF PART
1	2120	—	120 VOLT HEATER ASSEMBLY
1	—	2240	240 VOLT HEATER ASSEMBLY
2	2001	2001	24 VOLT SOLENOID VALVE ASSEMBLY
3	2002	2002	THERMISTOR PROBE ASSEMBLY
4	2003	2003	WATER LEVEL PROBE ASSEMBLY
5	2010	2011	CIRCUIT BOARD ASSEMBLY
6	2006	2006	DRAIN VALVE ASSEMBLY
7	2007	2007	TANK BAFFLE
8	2008	2008	INSULATION KIT (not shown)
9	WH 100	WH 100	WATER HAMMER ARRESTER (not shown)
10	Z 100	Z 100	ANODE
11	2009	2009	UNDER DUCT STEAM COVER (not shown)
12	APD	APD	AIR PROVING DEVICE (not shown)
13	WFA-195	WFA-195	WATER FILTER ASSEMBLY (not shown)
14	WFC-195	WFC-195	WATER FILTER CARTRIDGE (not shown)



Excellence Without Compromise

EVC[®]
CONTROLS INC.

385 Hwy. 33 Englishtown, NJ 07726
Ph: 800-446-3110 - Fx: 732-446-5362

P/N 090377A0129 REV.A Copyright © EVC Controls 2006 All Rights Reserved